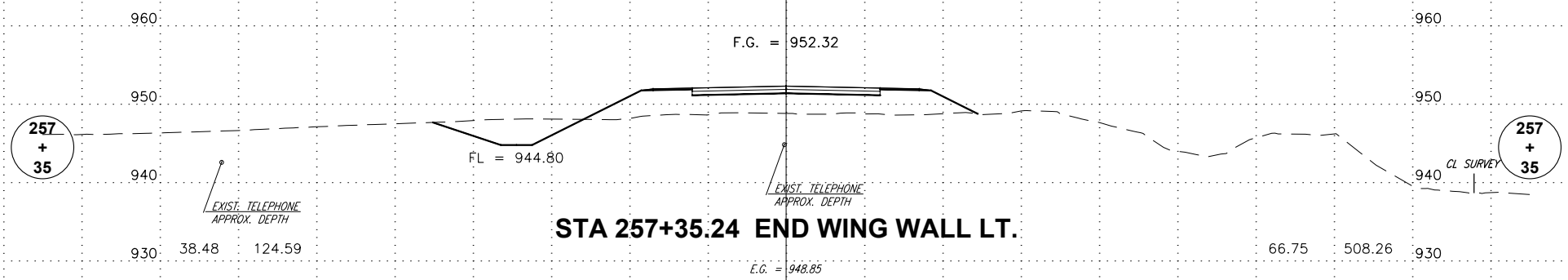
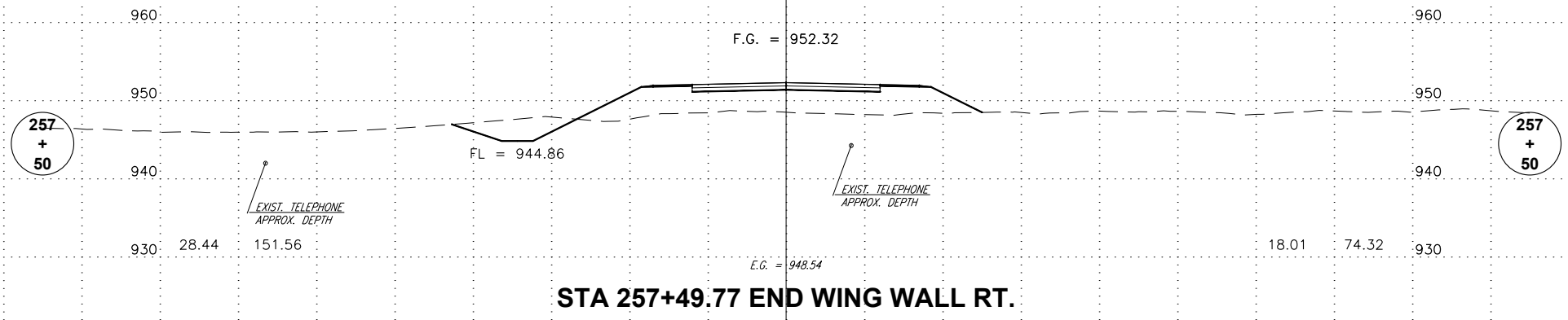


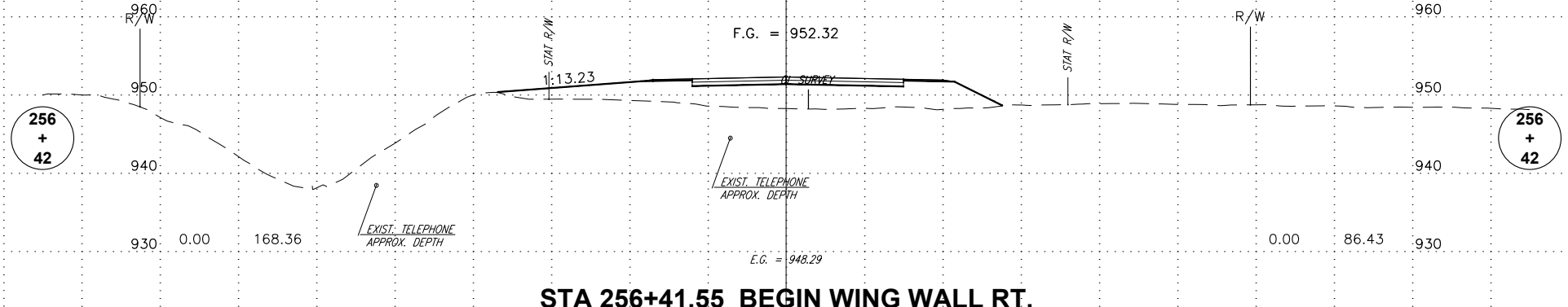
UPDATED EARTHWORK 10/18/17  
VOLUME C.Y.  
EXC. EMB.

AREA S.F.  
EXC. EMB.

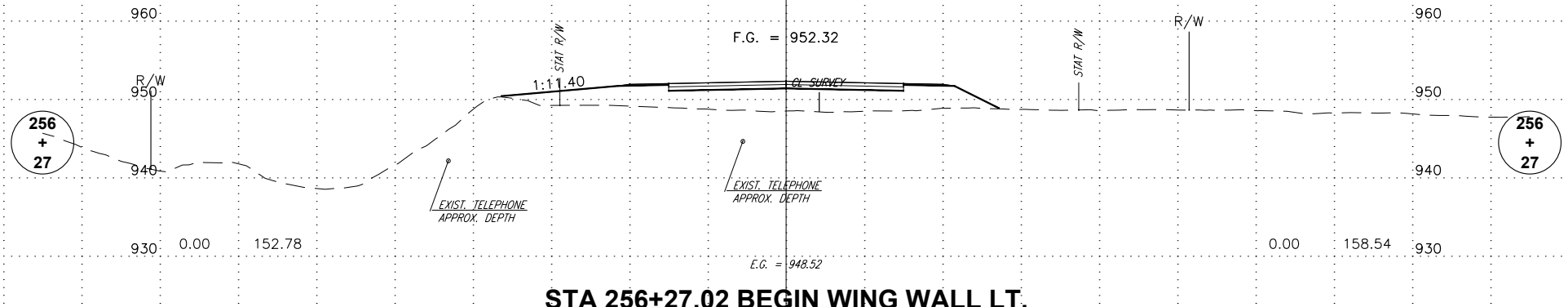


**STA 257+28.50 END BRIDGE "A" BK. FC. BKWL.**

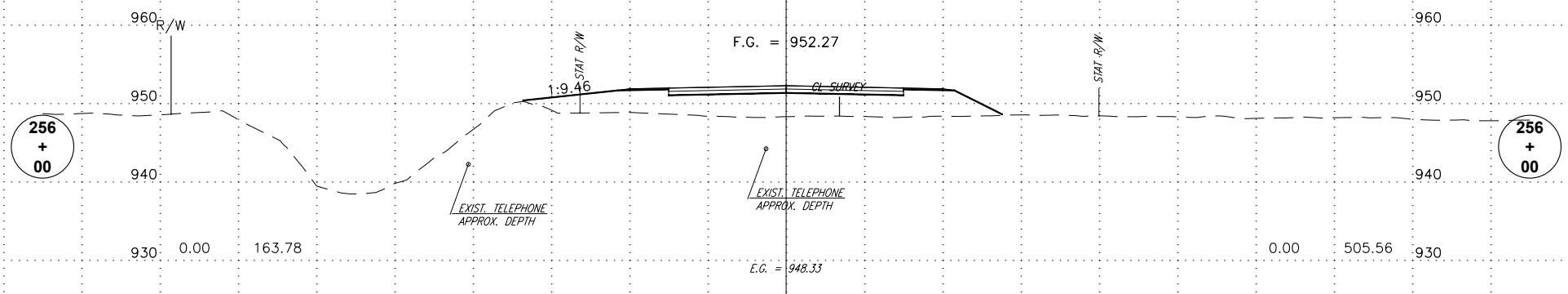
**STA 256+48.28 BEGIN BRIDGE "A" BK. FC. BKWL.**



**STA 256+27.02 BEGIN WING WALL LT.**



**STA 256+00**



ALL UTILITY LOCATIONS AND DEPTHS ARE APPROXIMATE.

0 5' 10' 20'  
FILE: 12010.0.EW-187 P-BASEMAP.DWG  
DATE: 10/18/17 STATE JOB PIECE NO. 27847(04) SHEET NO. X031